



A-SAFE

eFlex™

Double RackEnd Guardrail



Designed to protect the end of racking aisles where turning vehicles and equipment can impact vulnerable racking structures.

The Double Rail version will absorb and deflect repeated contact from heavier vehicles with higher centres of gravity, preventing damage to racking systems.

The circular end posts provide enhanced protection at the guardrail ends which are most susceptible to impact. Innovative spinning collars further deflect and dissipate impact forces.

Tested to the global benchmark in guardrail safety

bsi. PAS 13
Code of Practice for
Workplace Safety
Guardrails

Engineered for performance

Memaplex™ advanced strength polymer created from an exclusive composition of the most sophisticated polyolefins and rubber additives, expertly blended for unequalled strength and flexibility.

Unrivaled recovery through a unique built-in memory that allows the guardrail to flex, cushion and reform repeatedly upon impact, saving vast amounts in guardrail and vehicle repairs.

Huge return on Investment from incident prevention and downtime avoidance as rails, vehicles, floors and infrastructure do not need replacing or repair.

Rotating wear collars deflect force from repeat glancing blows preventing expensive on-going maintenance costs.

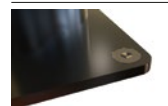
Self colored and UV stabilized for continued high visibility and long lasting aesthetics with no repainting.

Ultra-low maintenance material is chemical and water resistant, non-corrosive, non-scratch and self colored so no repainting, rusting, flaking or corrosion.

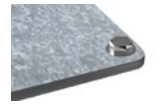
Environmentally friendly and 100% recyclable.

Zinc nickel, electrophoretic coating on base plates as standard, provides advanced protection against corrosion damage.

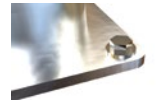
ADDITIONAL BASE OPTIONS



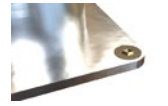
Countersunk Bolts



Galvanized Steel



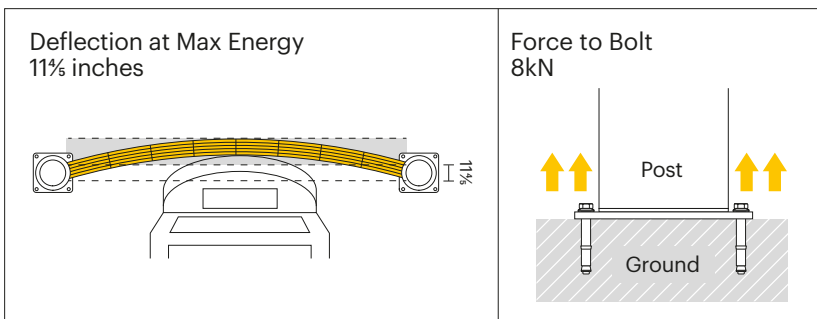
Stainless Steel 316 Standard



Stainless Steel 316 Countersunk

Technical Information

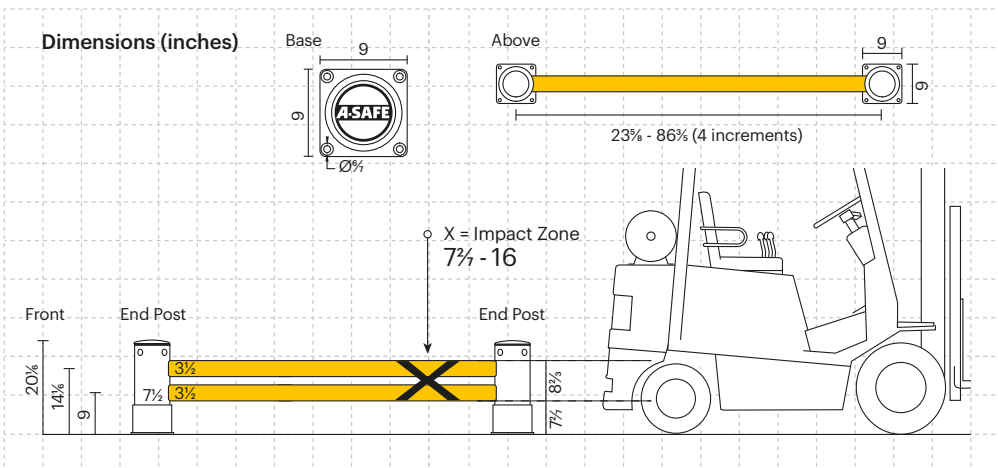
Impact Test	Impact Angle on 78¾ inch Post Centers			
	90°	67.5°	45°	22.5°
Mid Rail Max Energy (Joules)	6,000	7,029	12,000	40,971
End Post Max Energy (Joules) - 90°	3,600			



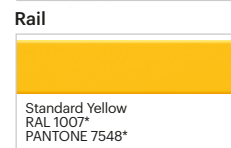
Material Properties	MEMAPLEX™
Temperature Range	14°F to 122°F
Ignition Temperature	698°F to 734°F
Flash Point	662°F to 698°F
Toxicity	Not Hazardous
Chemical Resistance	Excellent - ISO/TR 10358
Weathering Stability (Grey Scale)	5/5*
Light Stability (Blue Wool Scale)	7/8**
Static Rating (Surface Resistivity)	1015 - 1016 Ω
Hygiene Seals	No

* Weathering scale 1 is very poor and 5 is excellent

** Light stability scale 1 is very poor and 8 is excellent



Color Combination



*Please note that the RAL and PANTONE colors listed are the closest match to standard A-SAFE colors, but may not be exact matches of the actual product color and should be used for guidance only.

