



# FlexiShield Corner Guard

Specifically designed to protect wall edges and door frames from day-to-day bumps and scrapes from pallet trucks.

Quick and easy to install, the stackable design allows total flexibility in its reach; enabling installation to a height to suit.

The narrow profile keeps intrusion to a minimum whilst protecting infrastructure from scuff damage from hand powered vehicles.

## Features and benefits

### Absorption

Chevron and rectangular indents increase the surface area providing more material for energy absorption and allowing the Corner Guard to expand and contract before reforming to its original shape.

### High strength

Linear low-density polyethylene delivers strong impact resistance at both ambient and sub-ambient temperatures.

### Quick and easy installation

Simple assembly with modular, interlocking sections and the A-SAFE logo for clear orientation.

### Highly visible

Prominent chevron design delivers a clear warning with distinctive A-SAFE yellow creating a strong visual alert.

### Narrow footprint

Designed to defend against minor scuff impacts, the slimline design keeps the unit's impact on floor space to a minimum.



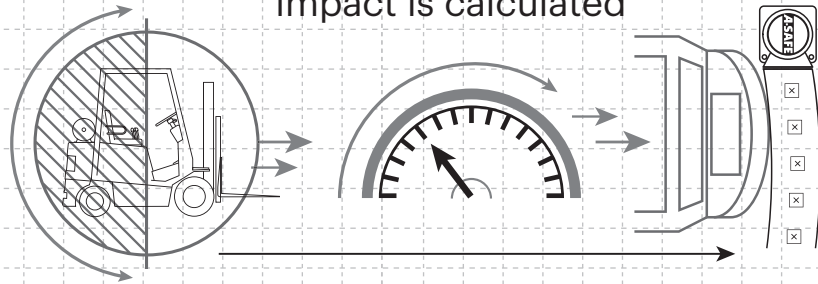
**Adaptable**  
Designed to be stackable, the Corner Guard can offer protection to the full vertical height.

**Colour Options**  
Also available in black.



# Technical Information

How the energy from a vehicle impact is calculated




$$\frac{1}{2} \text{ Mass} \times \text{Speed}^2 = \text{Joules}$$

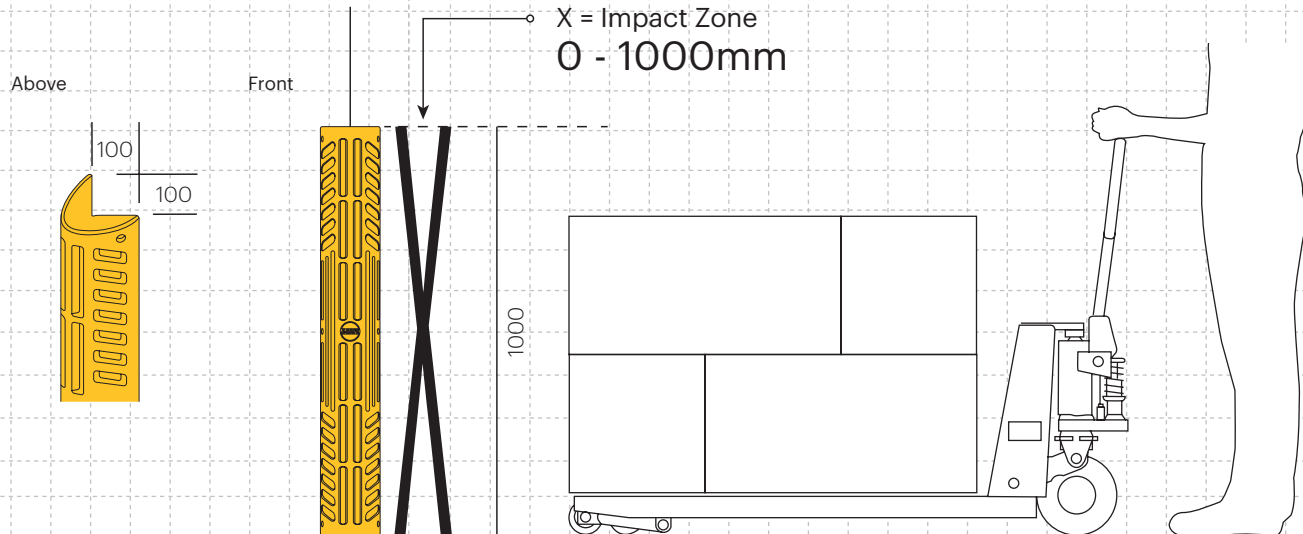
## Tested Impact Energy

**200 Joules**

Equivalent vehicle and speed


**1.5 tonne** X **1 mph** impact  
 90° Impact on Corner Guard

## Dimensions (mm)



Material Properties	MEMAPLEX™
Temperature Range	-20°C to 50°C
Ignition Temperature	330°C to 410°C
Flash Point	341°C
Toxicity	Not Toxic
Chemical Resistance	Excellent - ISO/TR 10358
Weathering Stability (Grey Scale)	5/5*
Light Stability (Blue Wool Scale)	7/8**
Static Rating (Surface Resistivity)	Insulator ( $1 \times 10^{11} \Omega/\text{SQ}$ )

\* Weathering scale 1 is very poor and 5 is excellent

\*\* Light stability scale 1 is very poor and 8 is excellent

## Colour Options



Standard Black  
RAL 9005\*  
PANTONE Black

Standard Yellow  
RAL 1007\*  
PANTONE 7548\*

\*Please note that the RAL and PANTONE colours listed are the closest match to standard A-SAFE colours, but may not be exact matches of the actual product colour and should be used for guidance only.

