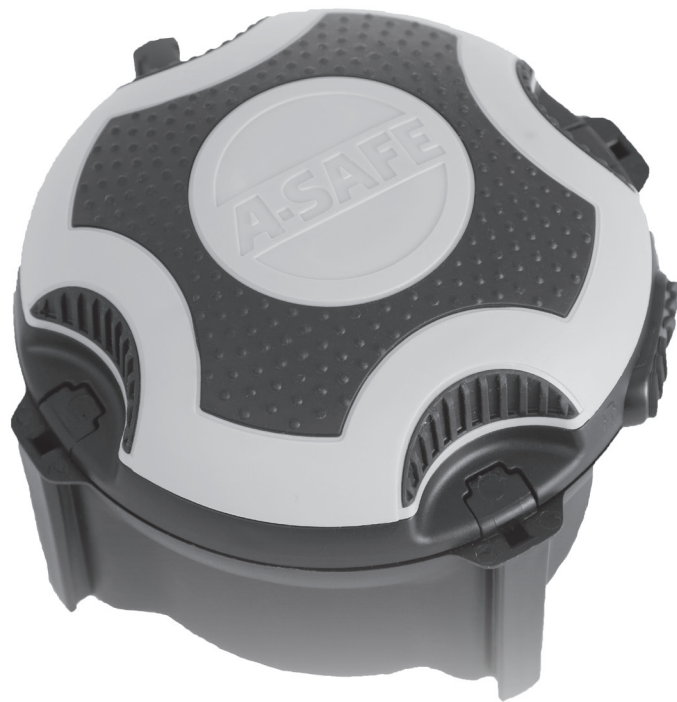
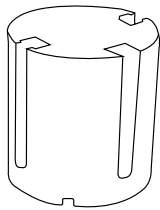
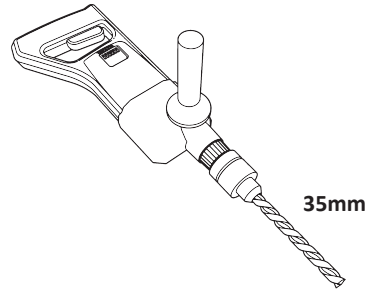
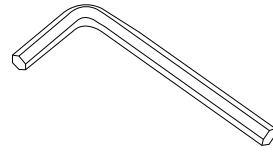
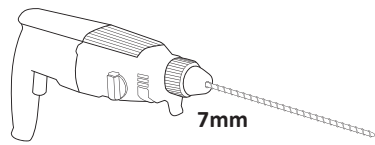
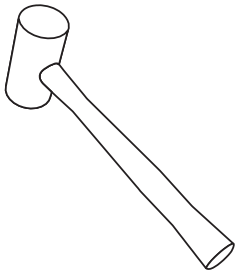
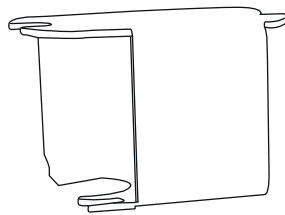


## Retractable Barrier

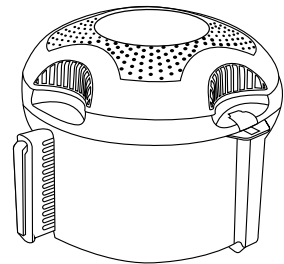




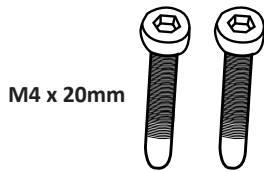
1X



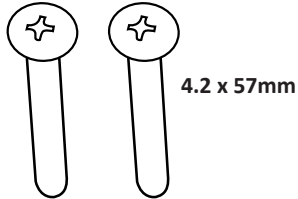
1X



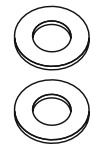
1X



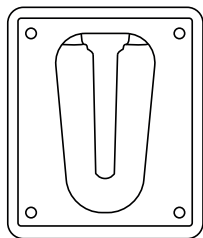
2X



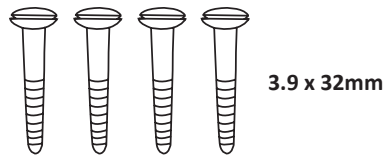
2X



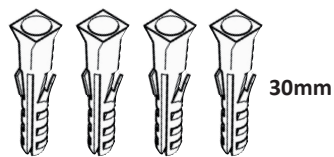
2X



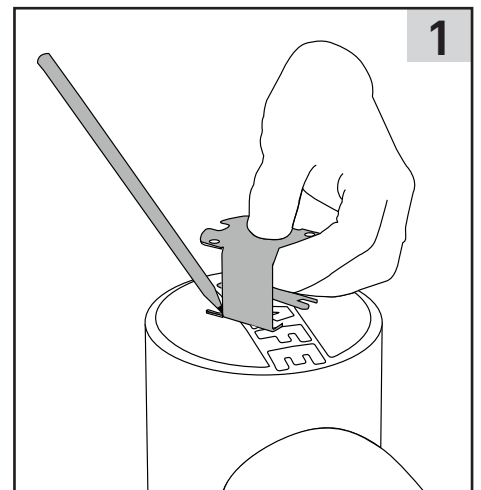
1X

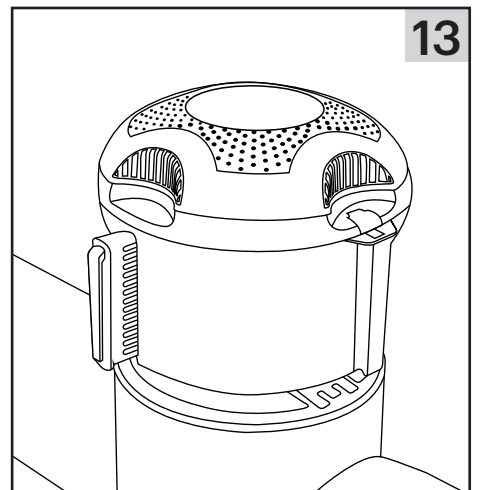
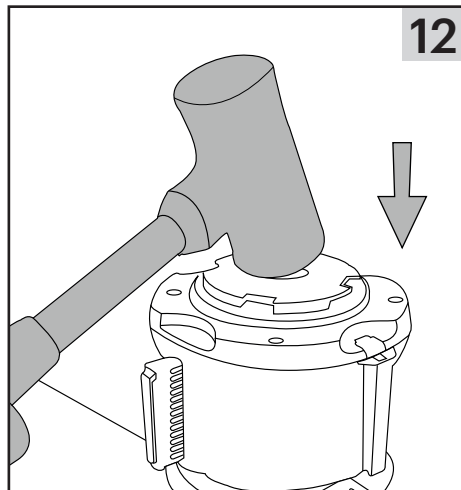
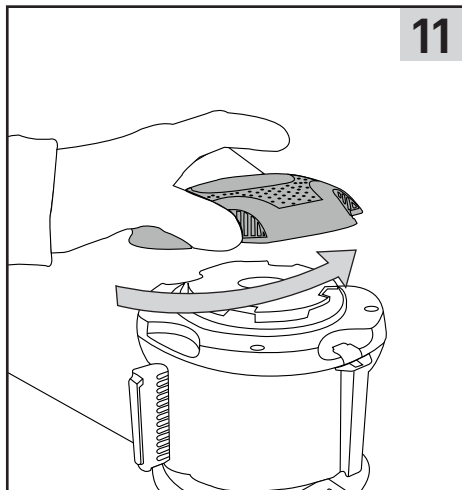
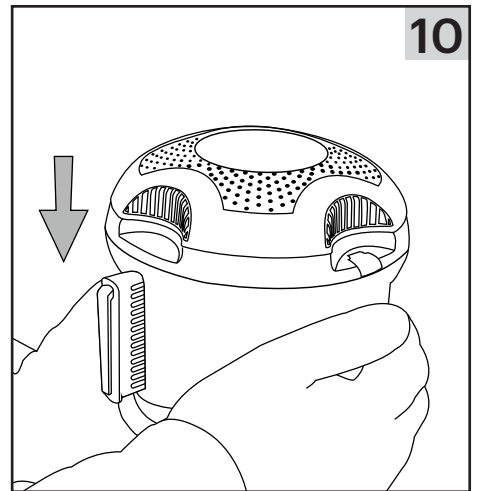
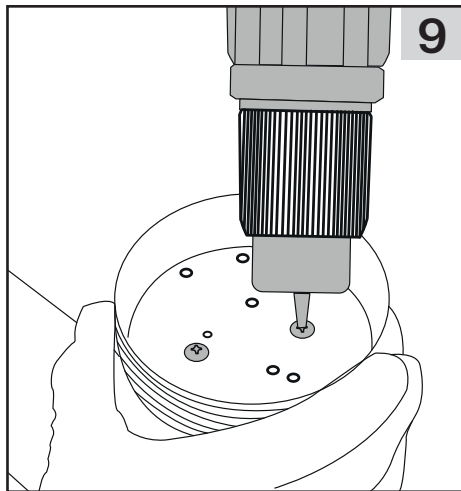
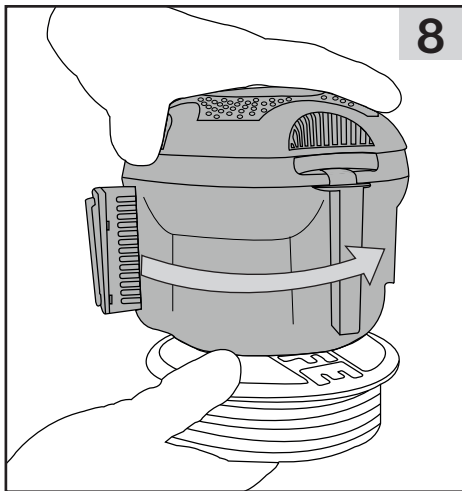
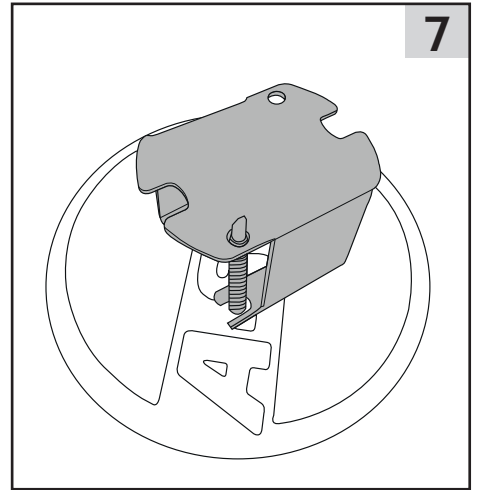
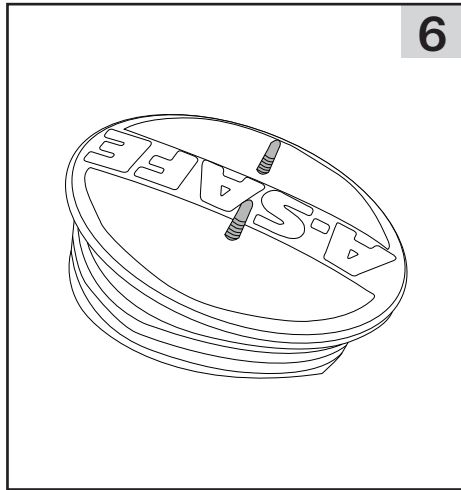
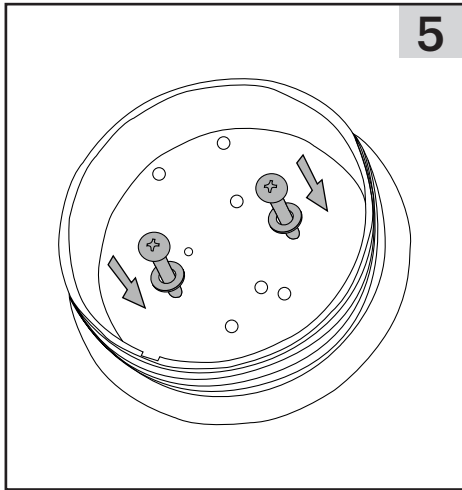
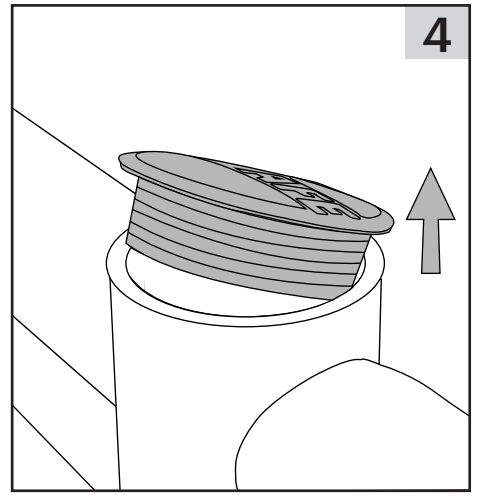
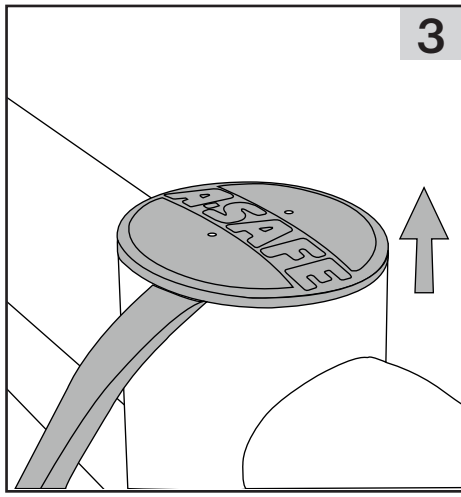
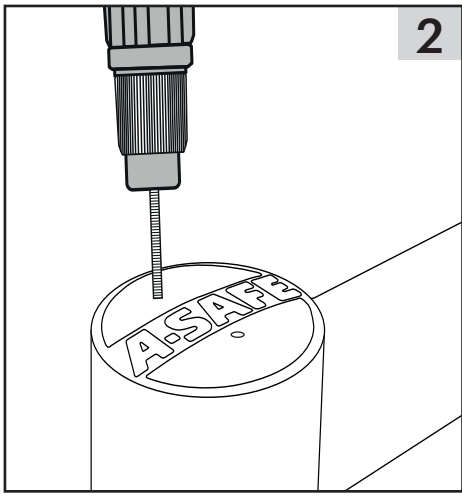


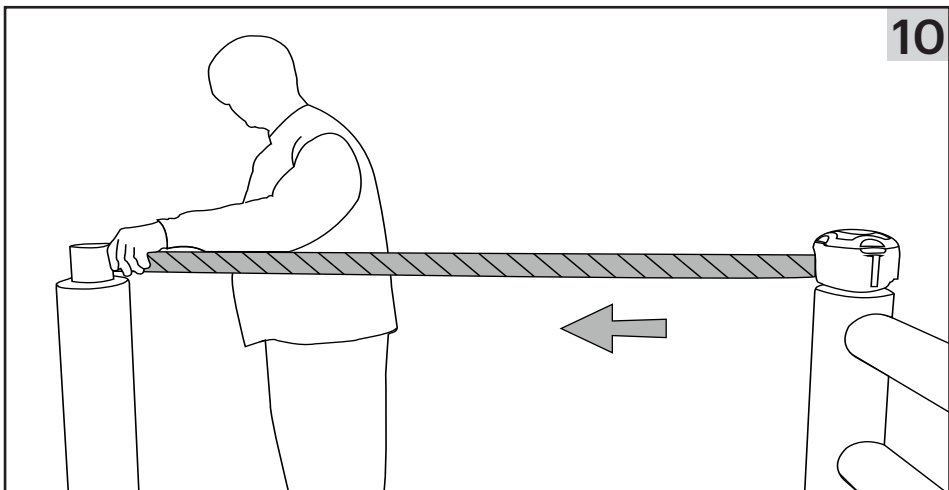
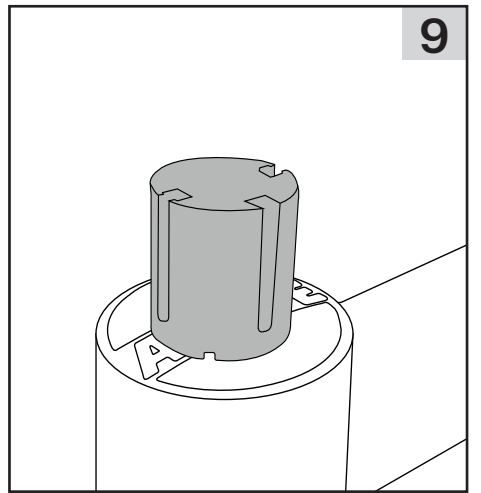
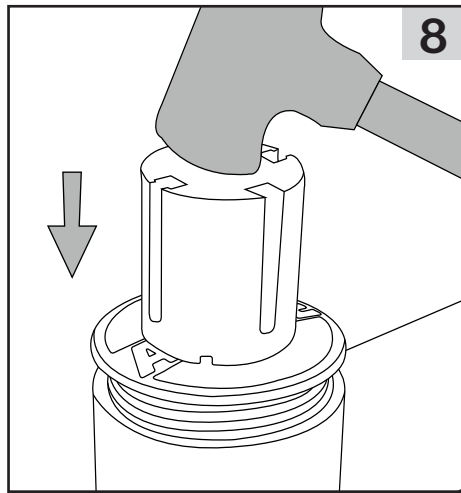
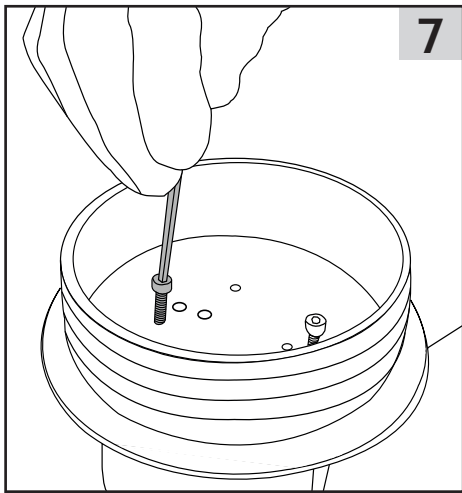
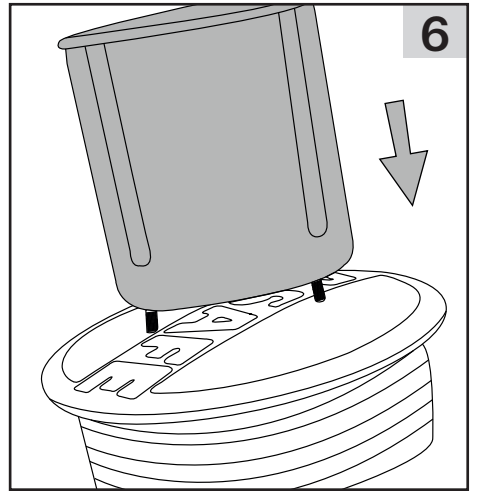
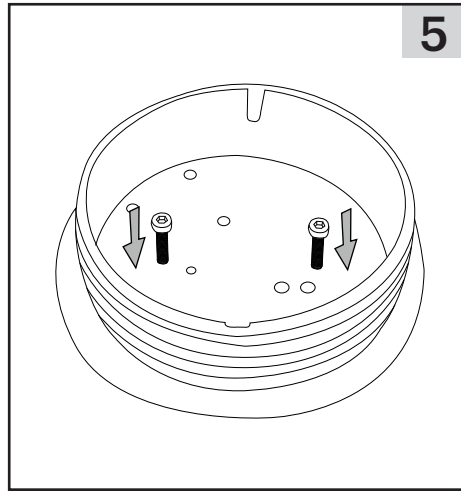
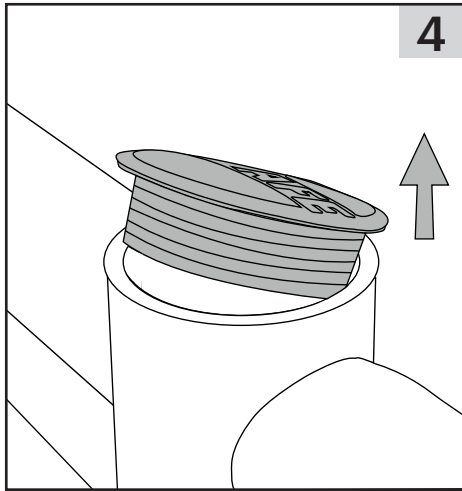
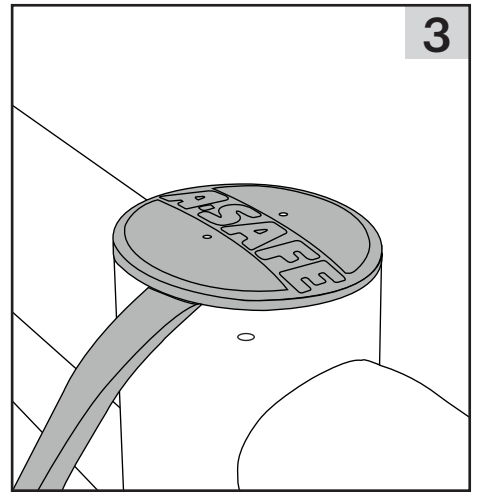
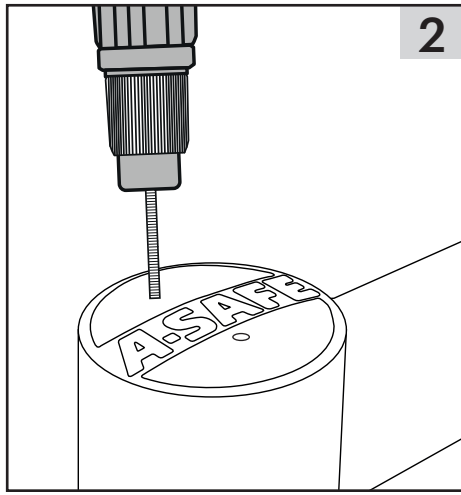
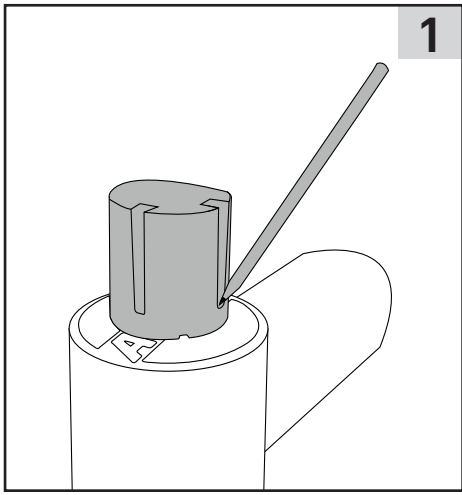
4X

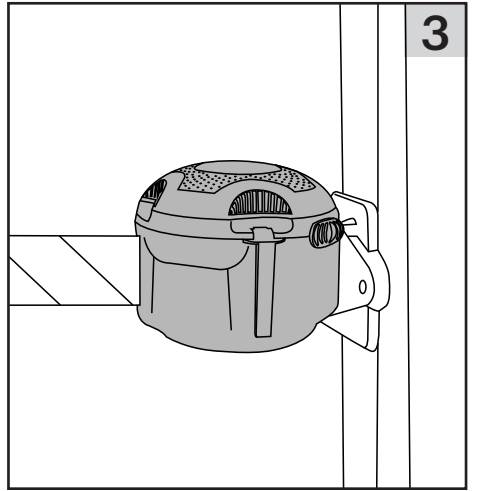
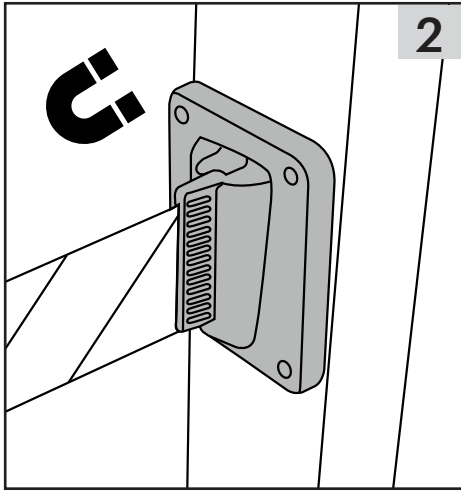
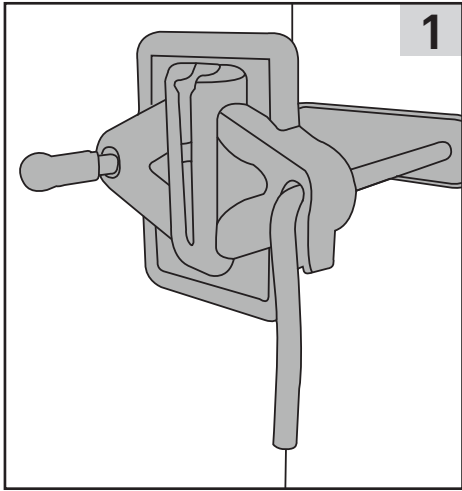
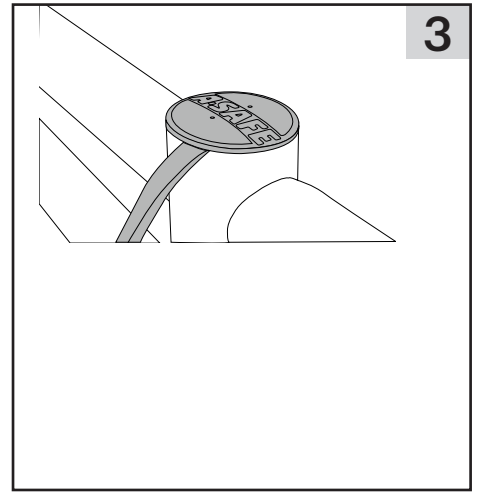
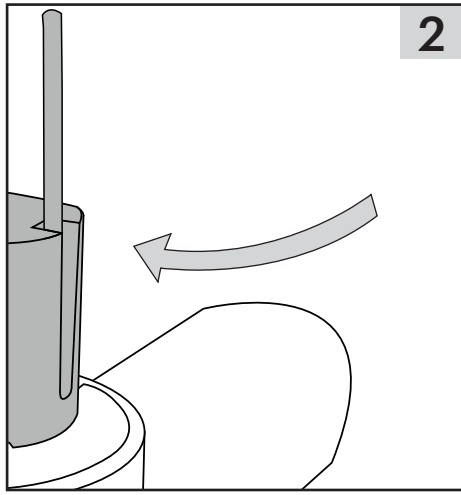
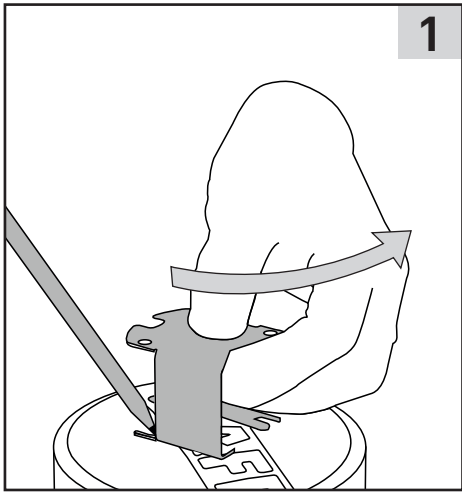


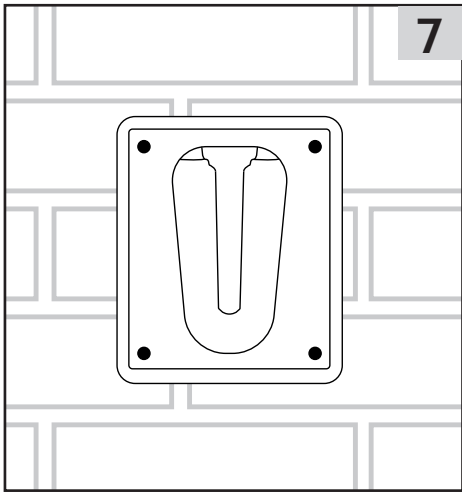
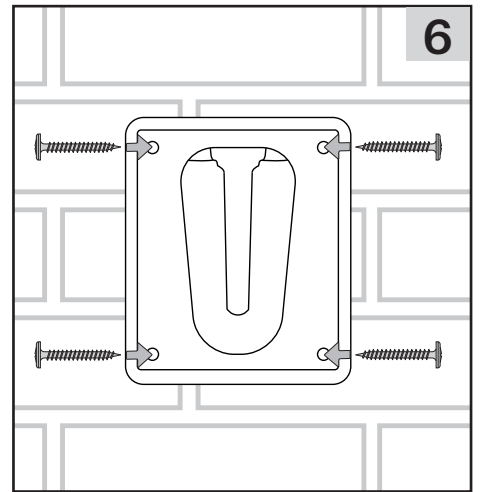
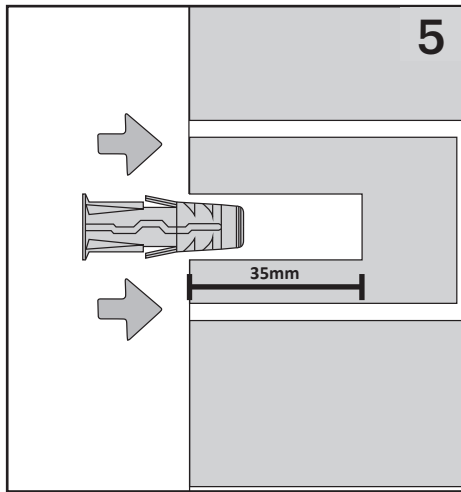
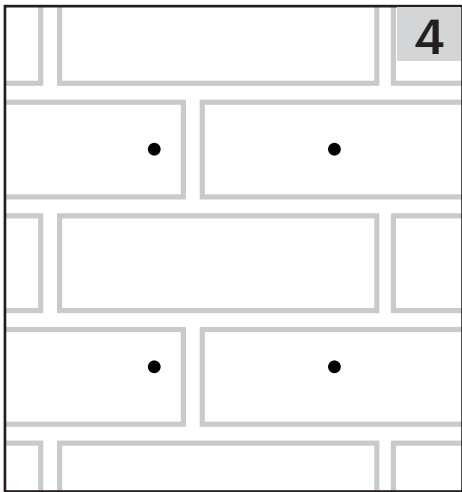
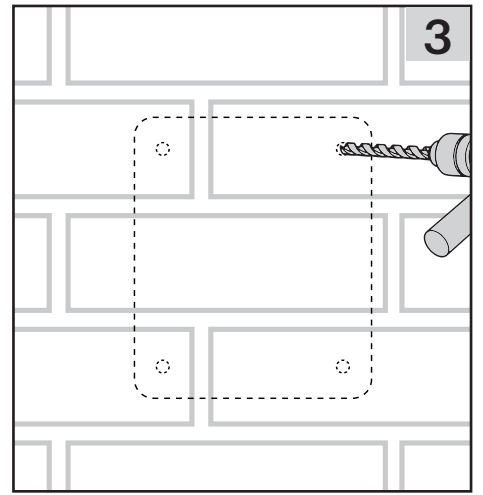
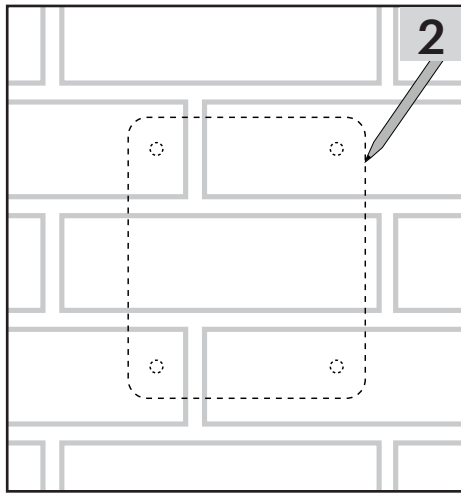
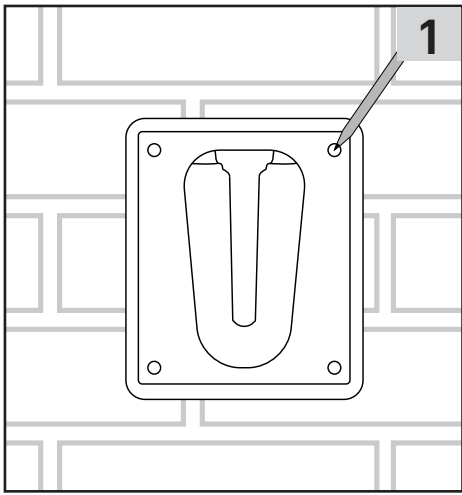
4X











# Post Receiver Template

