

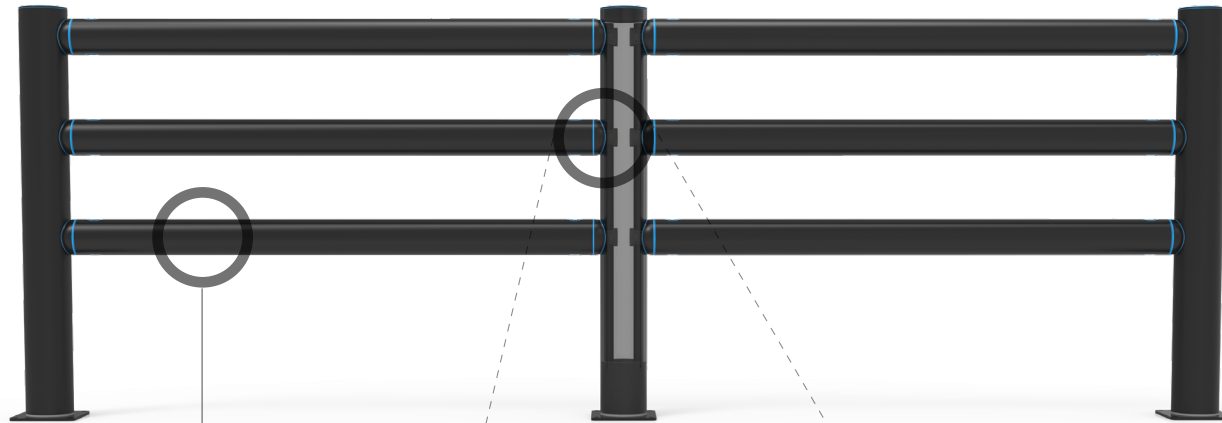


iFlex Pedestrian Guardrail 3 Rail Cold Storage

A-SAFE iFlex Cold Storage Pedestrian Barrier 3 Rail is designed to segregate pedestrians from active forklift trucks and other workplace hazards. This ergonomic barrier has been purpose-engineered for applications within sub-zero environments such as cold storage facilities. It delivers supreme performance in temperatures as low as -22°F.

Manufactured from Memaplex™Sub-Zero, a unique blend of polymers designed to withstand multiple impacts without cracking or fragmenting, iFlex Cold Storage Pedestrian Barrier 3 Rail Barrier provides visual guidance by defining walkways, while also segregating pedestrians from traffic such as forklift trucks. Ideal for busy sub-zero environments where vehicles are in operation and there is a risk of collision.





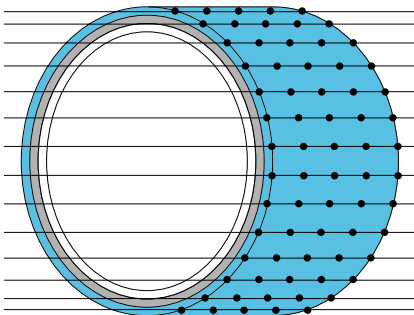
MEMAPLEX™

Ultimate strength polymer

created from an exclusive composition of the most sophisticated polyolefins and rubber additives, expertly blended for unequalled strength and flexibility.

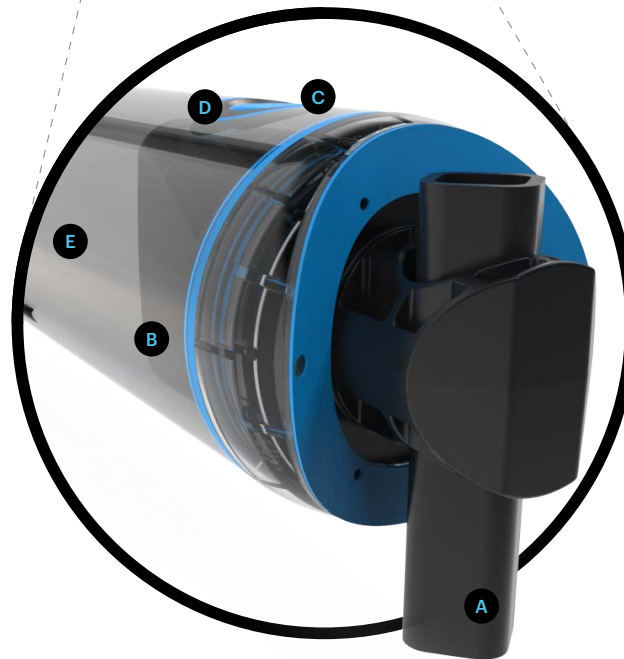
Advanced Engineering Molecular

reorientation during manufacturing creates a unique built-in memory that enables the guardrail to fully recover following impacts.



Revolutionary 3-Layered Material

- Inner strengthening core
- Central impact absorption zone
- Outer UV stabilised colour layer



Energy Absorption System

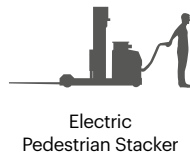
A patented 3-phase system that activates sequentially for unparalleled energy absorption.

- 1 Memaplex™ rail flexes to absorb impact, initiating the rail pin to slide forward and transfer load energy to the compression pocket.
- 2 Compression of the pocket continues to disperse energy as the coupling rotates around the post pin to activate further absorption.
- 3 At peak energy, the coupling twists further, engaging the post pin and instigating torsion of the post to dispel remaining forces.

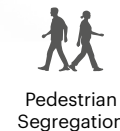
- | | |
|-------------------|-----------------------------|
| A Post Pin | D Compression Pocket |
| B Coupling | E Rail |
| C Rail Pin | |

Suitability

Vehicle



Application



Unrivalled recovery through a unique built-in memory that allows the guardrail to flex, cushion and reform repeatedly upon impact, saving vast amounts in guardrail and vehicle repairs.

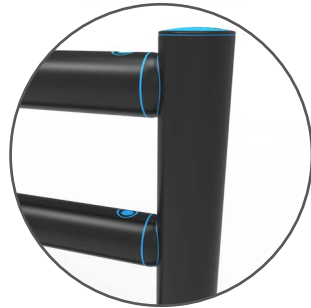


Huge return on investment from incident prevention and downtime avoidance as guardrails, vehicles, floors and equipment do not need replacing or repair.

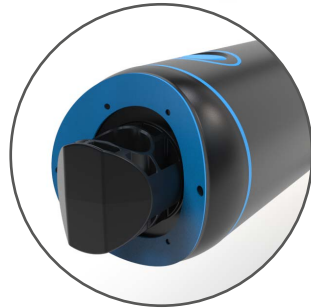
Features and benefits



Multi-directional system ensures a streamlined fit into any operation and the removal of hard angles.



Ultra-low maintenance material is chemical and water resistant, non-corrosive, non-scratch and self coloured so no repainting, rusting, flaking or corrosion.



Exclusive modularity allows rails and posts to be replaced in-situ without removing adjacent guardrail sections.



Seals reduce the risk of water ingress.



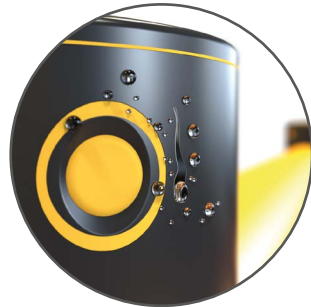
Zinc nickel, electrophoretic coating on base plates as standard, provides advanced protection against corrosion damage.



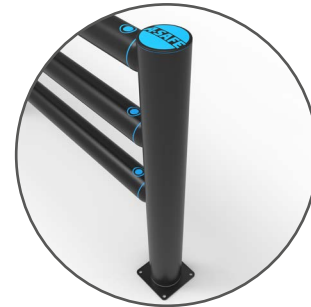
Self coloured and UV stabilised for continued visibility and long lasting aesthetics with no repainting.



No floor damage 80% of impact force is absorbed, transferring just 20% to the floor.



Wipe-clean, water resistant surface.



Ergonomic design with no sharp edges.

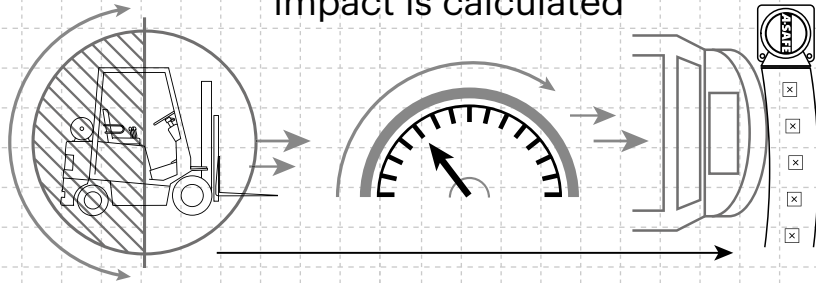


Environmentally friendly and 100% recyclable.



Technical Information

How the energy from a vehicle impact is calculated



$$\frac{1}{2} \text{ Mass} \times \text{Speed}^2 = \text{Joules}$$

Tested Impact Energy

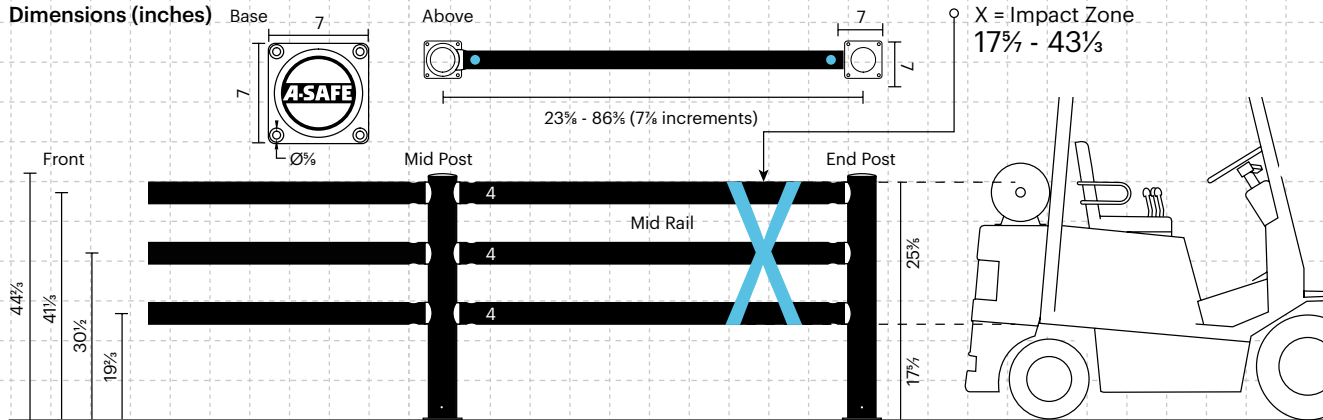
11,600 Joules

Equivalent vehicle and speed

5.1 Ton **X** 5 mph impact

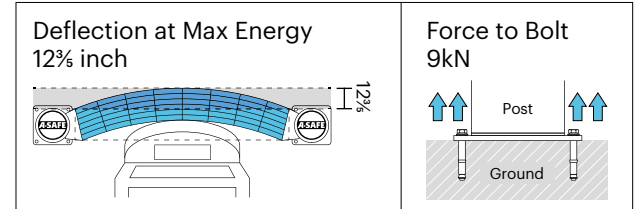
Mid Rail 45° Impact on 59 inch Post Centres

Dimensions (inches)



Impact Test	Impact Angle on 59 inch Post Centres			
	90°	67.5°	45°	22.5°
Mid Rail Max Energy (Joules)	5,800	6,795	11,600	39,605

End Post Max Energy (Joules) - 90°	3,700
End Post Max Energy (Joules) - 90°	2,700

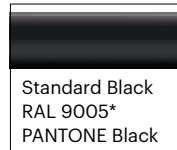


Material Properties	MEMAPLEX™
Temperature Range	-22°F to 32°F
Ignition Temperature	698°F to 734°F
Flash Point	662°F to 698°F
Toxicity	Not Hazardous
Chemical Resistance	Excellent - ISO/TR 10358
Weathering Stability (Grey Scale)	5/5*
Light Stability (Blue Wool Scale)	7/8**
Static Rating (Surface Resistivity)	1015 - 1016 Ω

Post Options



Rail Options



Color Combinations

*Please note that the RAL and PANTONE colors listed are the closest match to standard A-SAFE colors, but may not be exact matches of the actual product color and should be used for guidance only.

* Weathering scale 1 is very poor and 5 is excellent

** Light stability scale 1 is very poor and 8 is excellent

A-SAFE Inc

400 North Zarfoss Drive York, PA 17404

Tel: (443) 776 3472 Email: sales@asafe.us www.asafe.com

