

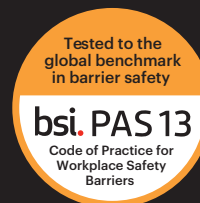


Monoplex Bollards

A-SAFE bollards are a multi-functional product used extensively in industrial, commercial and public environments.

Monoplex Bollards are designed to protect structures and equipment from impact damage, and provide a robust physical presence to prevent access or guide vehicles and pedestrians.

Strong, durable and highly visible, A-SAFE's Monoplex Bollards permanently reinforce a driver's attention to safe driving and act as guidance along traffic routes.



Monocast, 3 layer construction

The secret to the extreme strength and flexibility of the Monoplex Bollard is in the unique, triple-layered, monocast construction.

- A Impact Zone**
Engineered for maximum impact resistance and shape recovery, the Impact Zone takes the initial shock of impact.
- B Shock-absorption Zone**
Impact energy is then transferred and dissipated within the patented, ultra-flexible shock-absorption zone.
- C Stability Zone**
The Stability Zone combines extreme tensile strength with just the right amount of elasticity to dissipate the remaining impact energy.

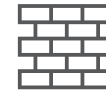


Environment



Internal use only

Monoplex Bollard 130mm* - Suitability Application



Corridor and wall protection



Building and equipment protection



Column protection

Vehicle



Electric Pedestrian Stacker



Manual Pallet Truck



Electric Reach Truck

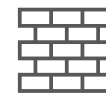


Lightweight Counterbalance FLT



Horizontal Order Picker

Monoplex Bollard 190mm - Suitability Application



Corridor and wall protection



Car Park protection



Column protection



Building and equipment protection



Industrial door protection

Vehicle



Heavy Duty Counterbalance FLT



Engine Counterbalance Heavy Duty Forklift Truck



Electric Pedestrian Truck



Horizontal Order Picker



Car

*130 Monoplex Bollard available on application



Monoplex Bollards offer unrivalled levels of impact strength, providing a product suitable for multiple applications - from low-risk pedestrian segregation to dock door and goods distribution areas.

Features and Benefits



Durability & Impact Resistance

Monoplex material has superior resistance to abrasion, wear and tear. The Monoplex Bollard has the ability to withstand multiple impacts and recover to its natural position.

Removing the steel base plate brings commercial advantages when working within facilities where corrosive materials are used for cleaning purposes and stainless-steel bases are a requirement.



Operational Efficiency

The Monoplex Bollard reduces repair costs, downtime, and potential disruptions to production by providing a protective shield to valuable equipment, buildings, and dock stations from accidental vehicle collisions.

The durability and low maintenance requirements of Monoplex Bollards translate to significant cost savings in the long run, compared to frequently repairing or replacing bollards.



Recovery

Monoplex Bollards are built to recover from regular impacts, returning to their original position after each collision.



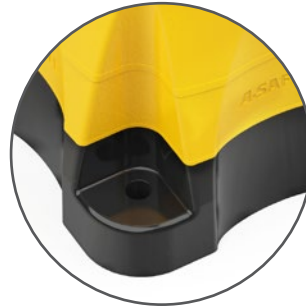
Safety & Protection

The Monoplex Bollard offers unrivalled impact and recovery characteristics, ideal for placement in facility areas with high traffic movement.



Increased Performance Rating

All Monoplex products exhibit improved performance and resilience to repeat impacts.

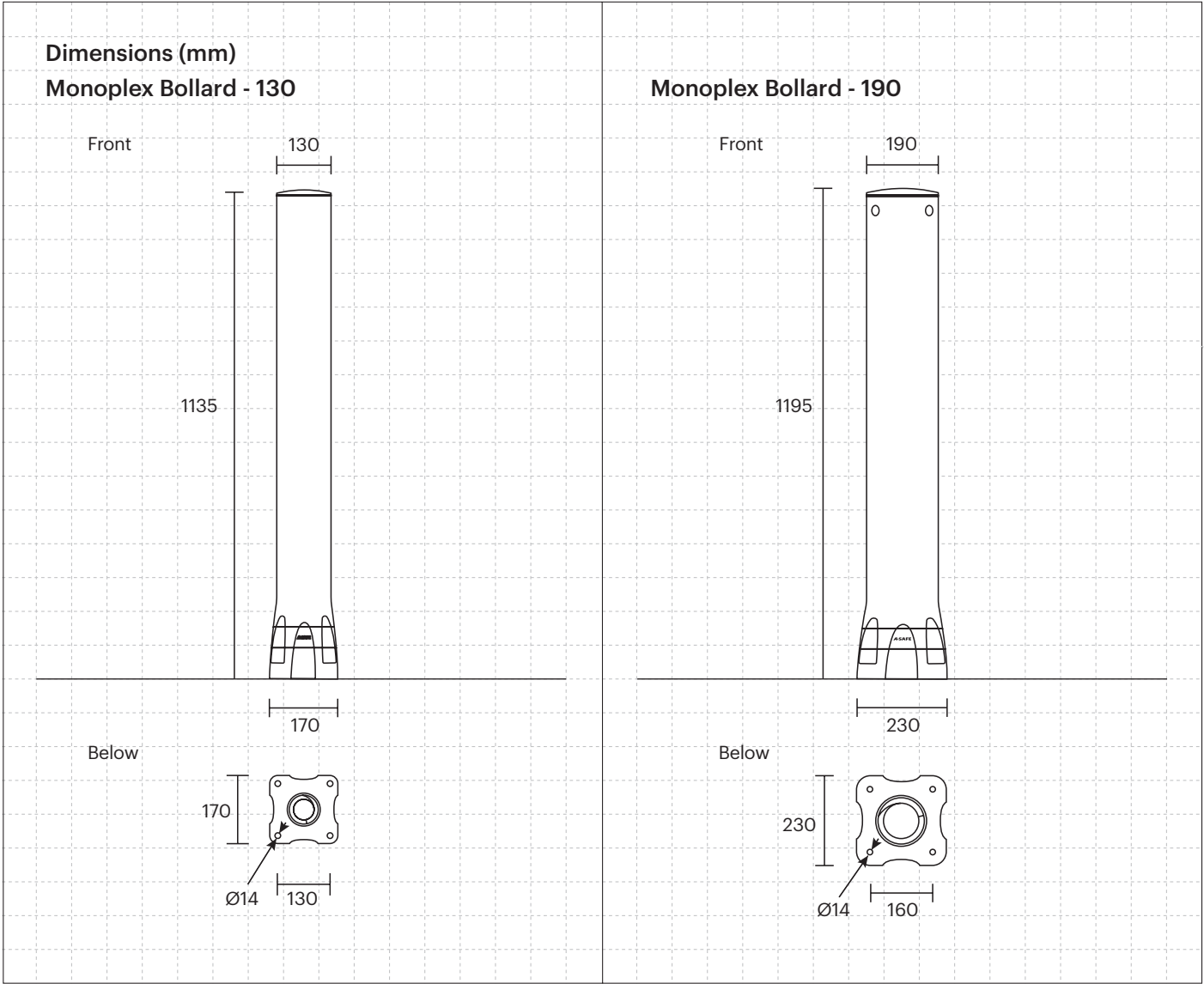


Repeat Impacts

Monoplex's material properties allow for repeat impacts at higher weights and speeds.



Technical Information



Colour Combinations



Standard Yellow
RAL 1007*
PANTONE 7548*

Standard Black
RAL 9005*
PANTONE Black

*Please note that the RAL and PANTONE colours listed are the closest match to standard A-SAFE colours, but may not be exact matches of the actual product colour and should be used for guidance only.

Material Properties	MONOPLEX™
Temperature Range	10°C to 30°C
Ignition Temperature	>200°C
Toxicity	Not Hazardous
Static Rating (Surface Resistivity)	10 ¹¹ - 10 ¹⁴ Ω

*130 Monoplex Bollard available on application

